

REMINGTON®

B5 Style Series Beard Trimmer

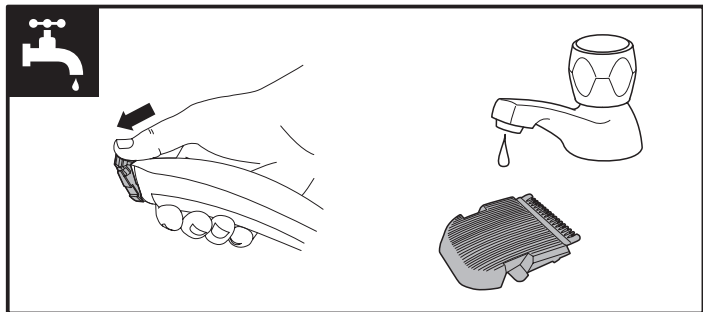
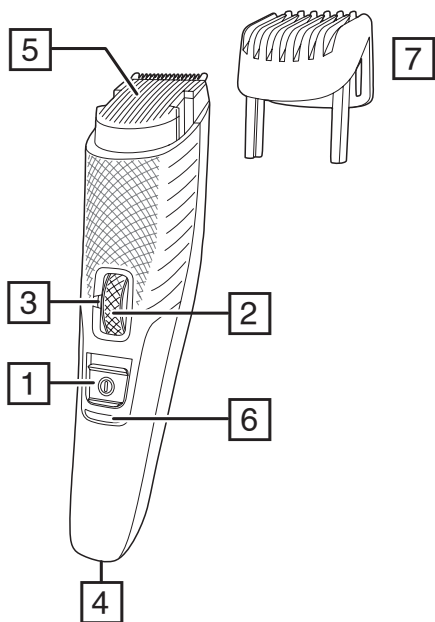


MB5000

 www.remington.co.uk

Register online for an EXTRA year guarantee

Visit uk.remington-europe.com/product-registration You must register within 28 days of purchase.



Thank you for buying your new Remington® product. Please read these instructions carefully and keep them safe. Remove all packaging before use.

IMPORTANT SAFEGUARDS

- This appliance can be used by children aged from 8 years and above and persons with reduced physical, sensory or mental capabilities or lack of experience and knowledge if they have been supervised/instructed and understand the hazards involved. Children shall not play with the appliance. Cleaning and user maintenance shall not be done by children unless they are older than 8 and supervised. Keep the appliance and cable out of reach of children under 8 years.
- The adaptor contains a transformer. Do not cut off the adaptor to replace it with another plug, as this causes a hazardous situation.
- The body of this appliance is not washable or water resistant. Do not put the appliance in liquid.
- Do not use the product with a damaged cord.
- **WARNING:** For recharging the battery, only use the charger supplied with the appliance - type reference PA-0510U (UK).
- Always replace a damaged adaptor with one of the original type.
- This appliance contains batteries that are non-replaceable.
- Do not use the appliance if it is damaged or malfunctions.
- This appliance should never be left unattended when plugged into a power outlet, except when charging.
- Keep the power plug and cord away from heated surfaces.
- Do not plug or unplug the appliance with wet hands.
- Do not twist or kink the cable, or wrap it round the appliance.
- This appliance is not intended for commercial or salon use.

PARTS

- | | |
|------------------------------|---------------------|
| 1. On/off switch | 6. Charge indicator |
| 2. Zoom wheel | 7. Adjustable comb |
| 3. Length position indicator | Not shown |
| 4. Charging connector | • Pouch |
| 5. Trimmer assembly | |
-

GETTING STARTED

CHARGING

- It is recommended to fully charge your product before using for the first time.
- Ensure the product is switched off.
- The adaptor automatically adjusts to a main voltage between 100V and 240V.
- Connect the charging adaptor to the product and then to the mains.

CHARGING INDICATOR

Charging	LED will flash
Fully Charged	LED will go off
Battery low	LED will flash quickly

- Charge time for the battery from empty to full charge is 2 hours.
- Run time from fully charged is up to 60 mins.
- Note: To preserve the life of your batteries, let them run out completely every 6 months and then fully charge.
- Do not recharge your product after each use as this will shorten the life of the battery.

This appliance can be used “cordless” by powering it from its internal rechargeable battery, or “corded” by connecting it to the charging adaptor and then the mains power supply. Powering the appliance from the charging adaptor is useful if the rechargeable battery does not have enough charge. Be aware however, that frequent use of the cordless mode will reduce the life of the rechargeable battery.

INSTRUCTIONS FOR USE

FITTING THE ADJUSTABLE COMB

- Hold the trimmer in one hand with your thumb firmly on the zoom wheel to keep it from turning. Ensure the length position indicator is at 0.4.
- Slide the comb down the grooves until it clicks into place.
- The comb can only be attached one way.

ADJUSTING THE TRIM LENGTH

- The trimmer comb can be adjusted to give you 17 different trim lengths simply by turning the wheel to the desired setting.
- Select the comb length by rotating the zoom wheel upwards to increase the length and downwards to decrease the length. Please see the table below for the different length increments.
- The wheel will click into place as it reaches each setting and the setting number will appear on the length position indicator.

Setting	Cutting Length
0.4	0.4 mm
1	1 mm
1.5	1.5 mm
2	2 mm
2.5	2.5 mm
3	3 mm
3.5	3.5 mm
4	4 mm
4.5	4.5 mm
5	5 mm
6	6 mm
8	8 mm
10	10 mm
12	12 mm
14	14 mm
16	16 mm
18	18 mm

Note: trimmer comb must be attached to the product in order to use the hair length selector.

TO THIN AND TAPER THE BEARD/MOUSTACHE

1. Fit the adjustable comb.
2. Use the zoom wheel to set the comb to the desired length setting.
3. The setting will appear on the length position indicator. If you are trimming for the first time start with the maximum trimming length setting.

4. Turn the unit on.
5. Place the flat top of the trimmer comb against the skin.
6. Slowly slide through the hair. Repeat from different directions as necessary.
7. If hair builds up in the trimmer comb during the trimming process, switch the unit off, pull the comb and brush the hair off.

Note: Use the beard trimmer without the adjustable comb for trimming hair close to the skin. This will trim hair to 1mm, holding the blades perpendicular to the skin will trim hair to 0.4mm.

TRIMMING THE NAPE OF YOUR NECK

Note: you will need a hand mirror for this operation if performing it alone.

1. Remove the adjustable comb.
2. Use your fingers to lift the hair at the base of your head up off the neck. Your index finger should be covering the roots of the hairs you are lifting to prevent accidental removal by the beard trimmer.
3. Using your other hand, hold the trimmer to the base of your neck with the cutting unit facing up and move the trimmer up the length of the neck until it touches your finger covering the hair roots at the base of your head.
4. Be sure to move the unit slowly when performing this operation and to keep the roots at the base of your head out of the way of the trimmer.

TO DEFINE THE BEARD/MOUSTACHE LINE

1. Hold the trimmer with the trimmer blade facing you.
2. Start with the edge of beard/moustache line and gently lower the trimmer blade onto your skin.
3. Use motions towards the edge of the beard/moustache line to trim to desired locations in facial area and away from beard in neck area.

BLADE RELEASE

- Ensure the trimmer is switched off.
- Remove the adjustable comb.
- Remove the blades by pushing your thumb upwards under the blades and move the blade set away from the trimmer body.
- To reattach the blades, align the back of the blades with the back housing at the top of the trimmer and push down until the blade set clicks into place.

TIPS FOR BEST RESULTS

- Beard, moustache and sideburn hairs should be dry.
- Avoid using lotions before use.
- Comb your hair in the direction that it grows.

CARE FOR YOUR TRIMMER

- To ensure long lasting performance of the trimmer, clean the blades and unit regularly.
- Do not use harsh or abrasive cleaners on the unit or blades.
- This product has washable blades. Ensure the blades are detached from the trimmer before washing the blades.
- Wash the blades under a running tap to remove any hair clippings.
- After rinsing under a tap ensure the blades are dry.
- Please note the main body of the trimmer is not washable and should be kept away from water.
- After each use, it is recommended to clean hair from the blades either by rinsing the blades or using a cleaning brush.
- We recommend that you oil the blades regularly. Add a few drops on all gliding surfaces, the cutting area and back pads of the blades.

BATTERY REMOVAL

We strongly recommend that a professional removes the rechargeable battery. Parts of the case, and tools have sharp edges and may cause injury if not handled correctly.

- The rechargeable battery must be removed from the appliance before it is scrapped.
 - Disconnect the charging adapter before removing the battery.
1. Turn the trimmer on and discharge all remaining power.
 2. Remove the trimmer head.
 3. Pry off the metal clip under the trimmer head.
 4. Pry off the decorative panel around the switch.
 5. Unscrew the 2 screws.
 6. Pry off the top housing and expose the printed circuit board.
 7. Take out the battery and printed circuit board assembly.
 8. Disconnect the battery from the circuit board.
- Used batteries must be removed from the appliance and disposed of at an appropriate official recycling/collection point.
 - Do not attempt to operate the device once you have opened it.

RECYCLING



To avoid environmental and health problems due to hazardous substances, appliances and rechargeable and non-rechargeable batteries marked with one of these symbols must not be disposed of with unsorted municipal waste. Always dispose of electrical and electronic products and, where applicable, rechargeable and non-rechargeable batteries, at an appropriate official recycling/collection point.

SERVICE AND GUARANTEE



Defects affecting product functionality appearing within the guarantee period will be corrected by replacement or repair at our option provided the product is used and maintained in accordance with the instructions. Your statutory rights are not affected. This warranty shall not be valid where it is contrary to U.S. and other applicable laws, or where the warranty would be prohibited under any economic sanctions, export control laws, embargos, or other

restrictive trade measures enforced by the United States or other applicable jurisdictions. This includes, without limitation, any warranty claims implicating parties from, or otherwise located in, Cuba, Iran, North Korea, Syria and the Crimea region. To claim an extra 1 year guarantee, register your product online within 28 days of purchase.

Register at: <https://uk.remington-europe.com/product-registration>

Consumables are guaranteed only for their recommended lifecycle. Replacement/spare parts* are excluded and are only covered by a 1 year warranty.

*Examples include, but are not limited to, adaptors, haircare attachments, grooming accessories, etc.


SERVICE CENTRE

UNITED KINGDOM

 0800 212 438 (free call mainland UK)

Spectrum Brands (UK) Ltd
Fir Street, Failsworth, Manchester
M35 0HS, UK
www.remington.co.uk

IRELAND

 142 951 40

Remington Consumer Products,
Unit B12, Ballymount Corporate Park,
Ballymount, Dublin 12
<https://ie.remington-europe.com>

Ref. No. MB5000

Type No. MB03A

19/UK/ MB5000 T22-7001147 Version 10 /19

Remington® is a Registered Trade Mark of Spectrum Brands, Inc., or one of its subsidiaries.

Spectrum Brands (UK) Ltd

Fir Street,

Failsworth,

Manchester

M35 0HS

www.remington.co.uk

© 2019 Spectrum Brands, Inc.